

PCB LAYOUT (TOP VIEW)

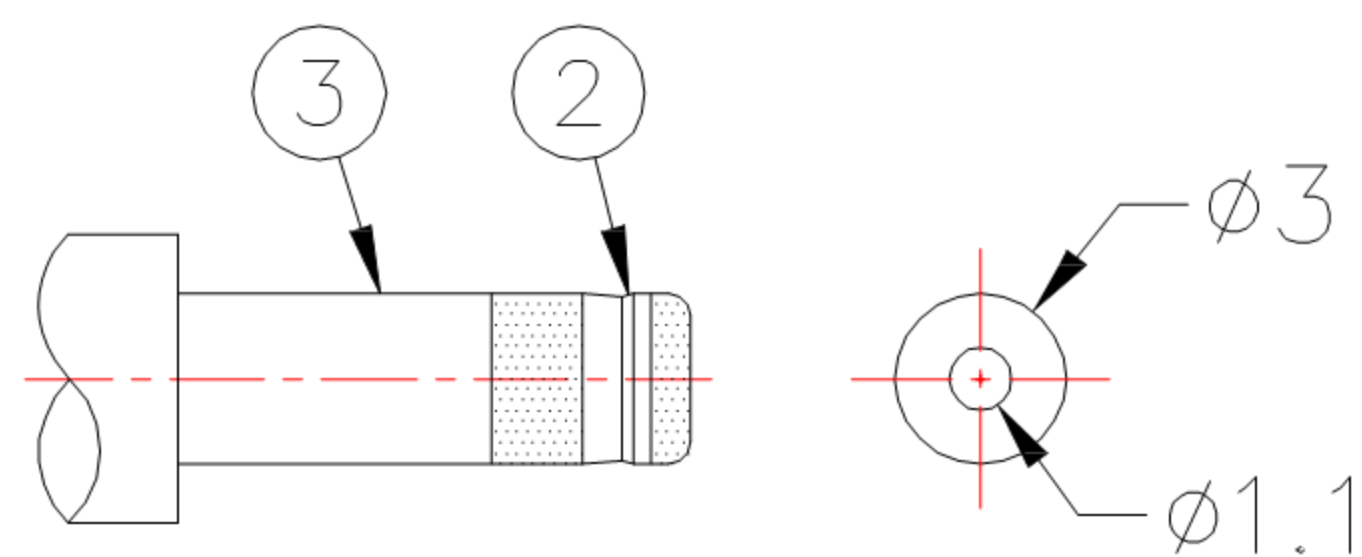
*MATERIAL

CENTRE PIN : BRASS
 TERMINAL 1 : BRASS
 TERMINAL 2 : PHOSPHOR BRONZE
 TERMINAL 3 : PHOSPHOR BRONZE
 HOUSING : PA6T

SPECIFICATION

- Rating : DC 16V 3.5A
- Contact resistance : $\leq 50m\Omega$
- Insulation resistance : $\geq 100M\Omega$
- Withstand voltage : 500VAC
- Insertion and extraction force : 3-30N
- life test : 5,000 cycles

DC MATE PLUG



MODEL NO.	DC-082H-2-1.0
SCHEMATIC	
CENTER PIN	ø1mm



东莞市高迪电子有限公司
 Dong Guan KDRR Electronic Switch Jack Co., Ltd.

TOLERANCE UNLESS OTHERWISE STATED :
 Up to 5 ±0.2
 Above 5 ~ 15 ±0.3
 Above 15 ~ 30 ±0.4
 Above 30 ~ 50 ±0.5
 Angle ±0.3°

3RD. ANGEL'S

UNITS MM

DRAWN BY:	DATE	MAT'L	TITLE	JACK
Jack Lu	08/12/14			
CHECKED BY:	DATE	FINISH	MODLE	DC JACK
Jacky Chen	08/12/14			
APPROVED BY:	DATE	SCALE	DWG NO.	DC-082H-2-1.0
Tony Kao	08/12/14	1:1		
		SHEET NO.	PART NO.	DC-082H-2-1.0
		1 of 1		

2	新增SPEC	Jack	081214
1	料號更新	FrankWu	072412
ITEM NO.	DESCRIPTION	DRAWN	DATE

SIZE	A4
VER	R1